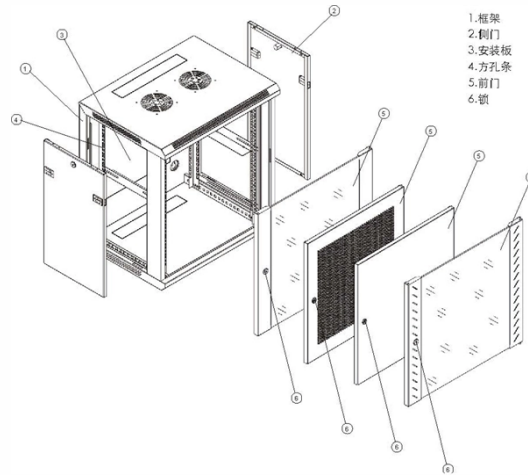


# Guam Fiber Optic Cable



## Overview

, a wholly owned subsidiary of NTT DOCOMO, Japan's leading mobile phone operator, announced that construction and end-to-end testing of the 183-mile ATISA submarine fiber optic cable system, connecting Guam to the Commonwealth of Northern Mariana Islands. DOCOMO PACIFIC, Inc. SxS cable system is privately invested by RTI Connectivity (RTI-C). ATISA is owned by DOCOMO PACIFIC Inc. GTA Teleguam is set to land the MYUS subsea cable at its Alupang data center in Guam. "With access to 12 major cables (with. The Bureau of Statistics and Plans (Bureau) is issuing this public notice to the public for the Guam Southern Ring Buried Fiber Optic Cable and 5G project. The Bureau was awarded federal funds from the National Institute of Standards and Technology (NIST) servicing the National Telecommunications.



## Article Content

Transpac (cable system)

This was the first fiber-optic cable across the Pacific, and it replaced the two existing copper cables (Transpac 1 and Transpac2) as well as satellite circuits being used at the time.

\$11.4 million project to expand broadband coverage in southern Guam

HAGÁTÑA (The Guam Daily Post) — The Office of the Governor has announced the launch of an \$11.4 million project to construct new fiber and 5G installations for expanded broadband

Guam telecom managers call for open undersea cable

CABLE INSTALLER: The ship KDDI Cable Infinity is seen from Piti beyond Guam's reef in this Post file photo. The ship lays undersea fiber-optic

New high speed fiber optic system connecting Guam

DOCOMO PACIFIC, Inc. has announced that construction and end-to-end testing of its 183-mile ATISA submarine fiber optic cable system connecting

2nd Guam-CNMI submarine cable lit | World Business

DOCOMO PACIFIC has completed the construction and end-to-end testing of the 183-mile ATISA submarine fiber-optic cable system connecting

Submarine Cable Map

TeleGeography's comprehensive and regularly updated interactive map of the world's major submarine cable systems and landing stations.

Public Notices Portal

Public Notice: Guam Southern Ring Buried Fiber Optic Cable and 5G Project for Sole Source The Bureau of Statistics and Plans (Bureau) is issuing this public notice to the public for the

\$11.4 million project to expand broadband coverage in

Funding for the Guam Southern Buried Fiber Optic Cable and 5G Project was made possible by the U.S. Department of Commerce, National

Fiber Internet | Internet | Shop | DOCOMO PACIFIC Guam

Discover DOCOMO PACIFIC's Fiber Internet—engineered for everything from casual streaming to intense online use. With lightning-fast speeds powered by fiber optic cables, it delivers top-tier

Public Notice: Guam Southern Ring Buried Fiber Optic Cable and 5G ...

Pursuant to 5 GCA, Division 1, Chapter 5 § 5214, the Bureau issues this sole source determination with PTI Pacifica, Inc., dba IT& E, to procure Ericsson wireless equipment and Ericsson

FCC Authorizes Apricot Submarine Cable, Offering 211

Spanning 12,000-kilometers, the Apricot subsea cable will connect Guam with Singapore, Indonesia, the Philippines, Taiwan, and Japan. It is

GTA Launches GTA Fiber

The installation process involves running fiber-optic cables from a central neighborhood point to the designated home. Subsequently, a service

Cable connecting Guam to Mariana Islands in the Pacific

The ATISA submarine cable (from the Chamorro word atisa meaning: “to illuminate, to accelerate”), which began with the signing of a supply contract in

This typhoon-resistant facility in Guam will power the

That's crucial, because the structure will power the repeaters, or “ optical pumps ” that the cables need to boost the laser signal as it travels through

GTA Expands Fiber Network, Brings Faster Internet

(Tamuning, Guam) Thursday, October 26, 2023 — GTA is proud to announce the expansion of its Fiber to the Neighborhood initiative to the village of

NEC completes "ATISA" submarine cable: Press

NEC Corporation (NEC; TSE: 6701) announced today that the 280 kilometer ATISA submarine fiber optic cable system connecting Guam to the

Public Notice: Guam Southern Ring Buried Fiber Optic Cable and 5G ...

IT& E proposes to install strand buried fiber optic cable to 26 existing wireless tower sites along the major routes in southern Guam in a ring architecture with two physically-diverse,

New fiber optic cable, legislative updates, madam

GU Holdings Inc., a subsidiary of Google, is proposing to land the APRICOT submarine fiber optic cable system in Guam, according to documents posted by

Free download! Wire Basket Cable Tray System

The Panduit Wire Basket overhead cable tray routing system consists of pathway sections, splice connectors, sidewalls, waterfalls, mounting brackets, and

Broadband: Internet for All

Broadband access in Guam today is marked by a stark contrast between the potential offered by new technological advancements and the ground realities faced by a significant portion of

Submarine Cable Map 2025

Guam Okinawa Kyushu Incheon (GOKI) Hokkaido-Akita Cable Hokkaido-Sakhalin Cable System (HSCS) Japan-Guam-Australia North (JGA-N) Japan Information

GTA Teleguam to land the MYUS subsea cable at

GTA Teleguam is set to land the MYUS subsea cable at its Alupang data center in Guam. Announced in a LinkedIn post, the company said: "Our

Guam Cell Phones, Fiber Internet, Home Phone, TV

GTA is Guam's truly local provider, offering smart services and products tailored to our island community. Find a store, get support, or browse our offerings.

Google: \$1B in undersea telecom cables to connect Guam, Japan,

Tech giant Google has plans to run more undersea telecommunication cables through the region, this time connecting Guam and the Commonwealth of the Northern Mariana Islands directly

## Contact Us

For more information, pricing, or custom solutions, please contact us:

Website: <https://www.blazingfast.co.za>

Email: [info@blazingfast.co.za](mailto:info@blazingfast.co.za)

Phone: +27 83 416 7295

Address: Plot 45, Silicon Savannah Road, Tatu City, Kiambu 00900, Kenya

This document is for informational purposes only. Specifications subject to change without notice.

